

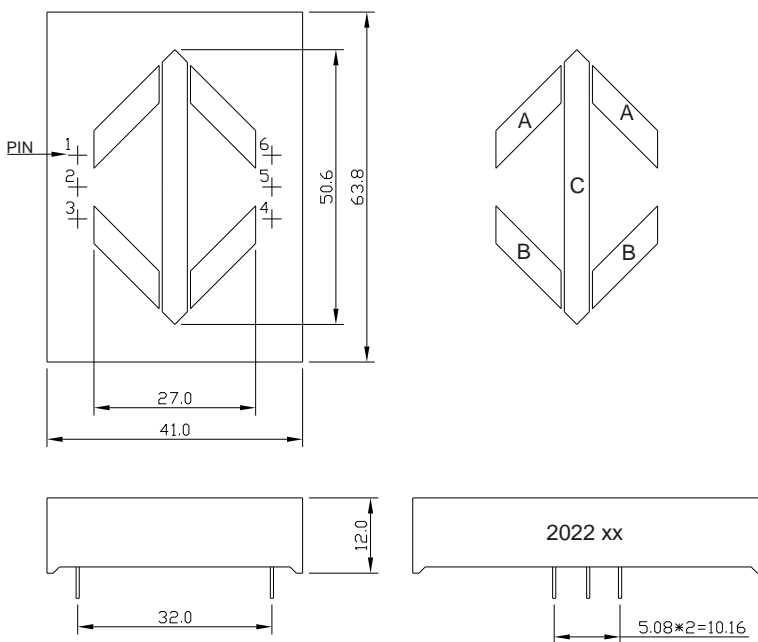
DESCRIPTION

- 41.0 x 64.0mm (2.0") Arrow Display Series
- Standard Brightness
- Low Current Operation
- Excellent Character Appearance
- Easy Mounting on PC Boards or Sockets

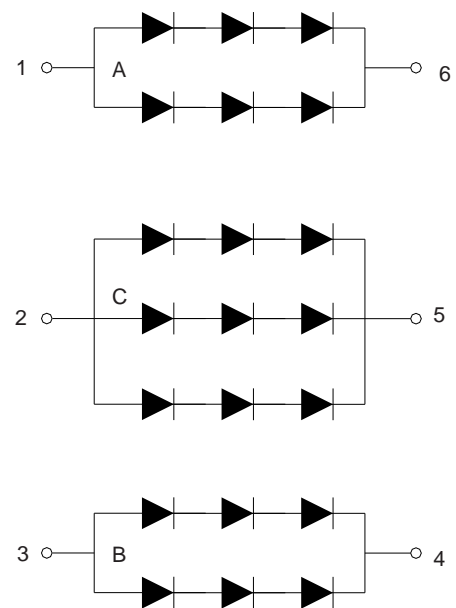


Package Dimensions & Internal Circuit Diagram

2022 Series



2022 xx



Notes:

All dimensions are in millimeters (inches)
 Tolerance is ± 0.25 (0.01") unless otherwise noted.
 Specifications are subject to change without prior notice.

Absolute Maximum Ratings (Ta = 25°C)

Parameter	Symbol	Test Condition	Value		Unit
			Min	Max	
Reverse Voltage	V _R	IR= 30μA	5	-----	V
Forward Current	I _f	-----	-----	40	mA
Power Dissipation	P _d	-----	-----	100	mW
Pulse Current	I _{peak}	Duty = 0.1ms, 1KHz	-----	300	mA
Operating Temperature	Topr	-----	- 40	+85	°C
Storage Temperature	Tstr	-----	- 40	+85	°C

XX :Surface / Epoxy Color :

Surface Color	White	Black	Gray	Red		
Number	0	1	2	3	4	5
Epoxy Color	White Diffused	Red Diffused	Green Diffused	Yellow Diffused	Blue Diffused	Water Clear
Number	0	1	2	3	4	5